

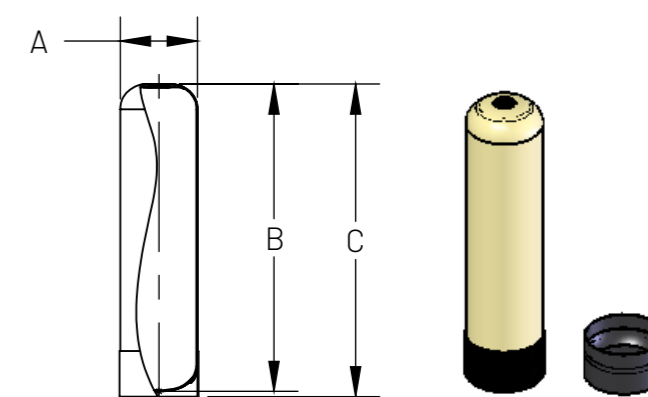
# RESIDENTIAL FRP VESSELS



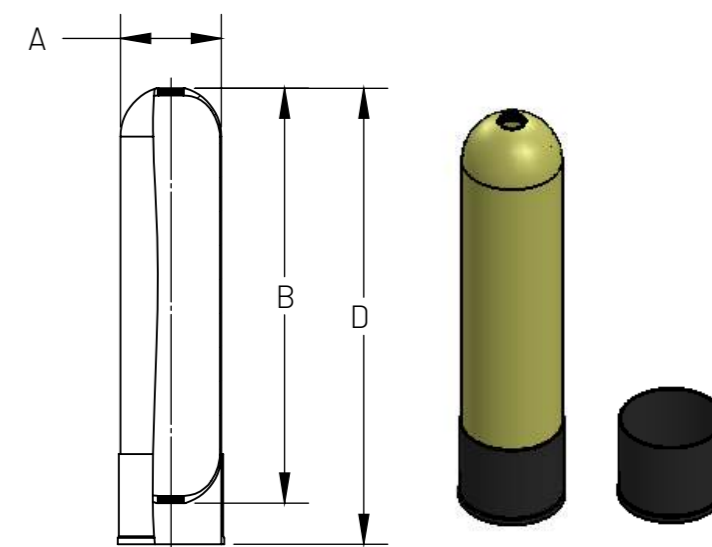
# RESIDENTIAL FRP VESSELS

Reference	Description	Tank volume in liter +/- 0,2	Outer diameter		Height			Top & Bottom opening sizes		Base type
			A (mm) +/- 3	B (mm)	C (mm)	D (mm)	E - internal height (mm)	Top	Bottom	
<b>Vinylester vessels 2 1/2" top (1 to 65°C)</b>										
83030	No base FRP vinylester 2 1/2" top, 06 x 13	4.97	159	320	-	-	314	2 1/2" -8 NPSM	-	No base
83031-4	No base FRP vinylester 2 1/2" top, 06 x 18	7.40	159	454	-	-	446	2 1/2" -8 NPSM	-	No base
83036-4	No base FRP vinylester 2 1/2" top, 07 x 35	20.89	184	885	-	-	880	2 1/2" -8 NPSM	-	No base
83036-1	W/base FRP vinylester 2 1/2" top, 07 x 35	20.89	184	885	887	-	880	2 1/2" -8 NPSM	-	Snap-on base
83039-3	No base FRP vinylester 2 1/2" top, 08 x 17	12.10	210	427	-	-	421	2 1/2" -8 NPSM	-	No base
83039-2	W/base FRP vinylester 2 1/2" top, 08 x 17	12.10	210	427	437	-	421	2 1/2" -8 NPSM	-	Snap-on base
83040-1	W/base FRP vinylester 2 1/2" top, 08 x 22	16.54	210	569	579	-	561	2 1/2" -8 NPSM	-	Snap-on base
83042-3	No base FRP vinylester 2 1/2" top, 08 x 35	26.93	210	885	-	-	881	2 1/2" -8 NPSM	-	No base
83042-2	W/base FRP vinylester 2 1/2" top, 08 x 35	26.93	210	885	896	-	881	2 1/2" -8 NPSM	-	Snap-on base
83043-5	W/base FRP vinylester 2 1/2" top, 8 x 40	31.28	210	1013	1024	-	1009	2 1/2" -8 NPSM	-	Snap-on base
83045-2	No base FRP vinylester 2 1/2" top, 09 x 35	33.65	236	885	-	-	881	2 1/2" -8 NPSM	-	No base
83045-1	W/base FRP vinylester 2 1/2" top, 09 x 35	33.65	236	885	897	-	881	2 1/2" -8 NPSM	-	Snap-on base
83046-5	W/base FRP vinylester 2 1/2" top, 10 x 19	20.02	257	482	487	-	473	2 1/2" -8 NPSM	-	Snap-on base
83046-3	No base FRP vinylester 2 1/2" top, 10 x 19	20.02	257	482	-	-	473	2 1/2" -8 NPSM	-	No base
83047-2	No base FRP vinylester 2 1/2" top, 10 x 35	39.42	257	885	-	-	880	2 1/2" -8 NPSM	-	No base
83047-1	W/base FRP vinylester 2 1/2" top, 10 x 35	39.42	257	885	890	-	880	2 1/2" -8 NPSM	-	Snap-on base
83048-2	W/base FRP vinylester 2 1/2" top, 10 x 40	46.20	257	1015	1019	-	1010	2 1/2" -8 NPSM	-	Snap-on base
83049-2	W/base FRP vinylester 2 1/2" top, 10 x 44	50.95	257	1117	1122	-	1112	2 1/2" -8 NPSM	-	Snap-on base
30547-4	W/base FRP vinylester 2 1/2" top, 10 x 47	54.57	257	1191	1200	-	1183	2 1/2" -8 NPSM	-	Snap-on base
83051-1	W/base FRP vinylester 2 1/2" top, 10 x 54	63.35	257	1367	1375	-	1363	2 1/2" -8 NPSM	-	Snap-on base
83053	W/base FRP vinylester 2 1/2" top, 13 x 54	105.54	335	1365	1384	-	1358	2 1/2" -8 NPSM	-	Snap-on base
82031	W/base FRP vinylester 2 1/2" top, 13 x 54	105.54	335	1365	1384	-	1358	2 1/2" -8 NPSM	-	Snap-on base
<b>Vinylester vessels with other specifications (1 to 65°C)</b>										
32032	No base FRP vinylester 4" top + 2 1/2" bottom openings, 10 x 19	20.02	257	482	-	-	473	4.0" -8 UN	2 1/2" -8 NPSM	No base
30400-5	W/base FRP vinylester 4" top + 2 1/2" bottom openings, 10 x 19	20.02	257	482	-	630	473	4.0" -8 UN	2 1/2" -8 NPSM	Extended base
830358	No base FRP vinylester 4" top + 2 1/2" bottom openings, 10 x 54	63.35	257	1367	-	-	1363	4.0" -8 UN	2 1/2" -8 NPSM	No base
30587-4	W/base FRP vinylester 4" top + bottom openings, 10 x 54	63.35	257	1367	-	1519	1363	4.0" -8 UN	4.0" -8 UN	Extended base
30657	W/base FRP vinylester 4" top opening, 12 x 48	78.55	305	1217	1236	-	1210	4.0" -8 UN	-	Snap-on base
30663-1	W/base FRP vinylester 4" top + bottom openings, 12 x 48	78.55	305	1217	-	1367	1210	4.0" -8 UN	4.0" -8 UN	Extended base
82013	W/base FRP vinylester 4" top opening, 13 x 54	105.54	335	1365	1384	-	1358	4.0" -8 UN	-	Snap-on base
82016-2	W/base FRP vinylester 2 1/2" top, 2" BSP top dome Hole, 3/4" BSP bottom SH, 13 x 54	105.54	335	1365	1384	-	1358	2 1/2" -8 NPSM	-	Snap-on base
82014-1	W/base FRP vinylester 4" top + bottom openings, 13 x 54	105.54	335	1365	-	1519	1358	4.0" -8 UN	4.0" -8 UN	Extended base
83054-1	W/base FRP vinylester 4" top opening, 14 x 65	149.60	362	1640	1650	-	1630	4.0" -8 UN	-	Snap-on base

**Tank on Snap-On base**



**Tank on extended base**



**Click here to know more about our FRP vessels range**





[www.pentair.eu](http://www.pentair.eu)

All indicated Pentair trademarks and logos are property of Pentair. Third party registered and unregistered trademarks and logos are the property of their respective owners.

MKT-TS-165-EN-B © 2023 Pentair. All rights reserved.